

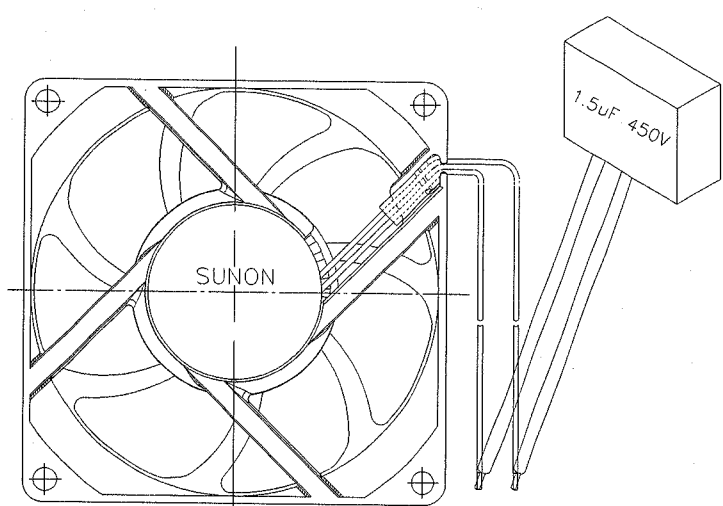
165

135

INSTALLATION INSTRUCTION

Compliance with EMC directive is always necessary for customer's application. We expect adding a capacitor can help to improve EMC suppression of system; but if customer's system already complies with EMC directive, it's not necessary to add capacitor into the system.

We are offering fan with capacitor within each carton, concerning the usage of this capacitor, if needed, it shall be installed in system power supply for fan at connector or wire. The additional capacitor shipped together with fan at no extra charge.



註:

1. 字型: Calibri
2. 字體大小: 14
3. 方形外框為刀模線, 不需印刷

* 本產品所使用的原料或零件, 不可含有建準電機公司"環境負荷物質檢測技術與標準一覽表"之危害禁用物質。

料號: A804044990G

| | | | | | | | | | | | |
|--|----|----|----|----|----------|----|-----|----|-----|------------------------------|----|
| | | | | | | | | | | 適用機型: MagLev AC系列 歐規專用 | |
| | | | | | | | | | | 道林紙(黃色) | |
| 項目 | 修 | 訂 | 說 | 明 | 修訂日期 | 修 | 訂 | 核 | 准 | 材質 | |
| 公差 | 單位 | mm | 比例 | 日期 | 20110218 | 製圖 | 林雅雯 | 確認 | 陳永志 | 審核 | 版次 |
| 建準電機工業股份有限公司 SUNONWEALTH ELEC.MACH.CO.,LTD. | | | | | | | | | | SUNON 商標圖 | |
| | | | | | | | | | | A06000010G-F0 說明書 | |
| | | | | | | | | | | 1 1 | |